



Device Link Quick-Start Guide 1

Station Setup

What You Need:

- 1 x internet connection with ethernet cable (for target MacBook)
- 1 x internet connection, Wi-Fi or ethernet (for Device Link)
- HDMI monitor (needed for setup, optional for processing)
- USB mouse and keyboard (needed for setup, optional for processing)
- 1 x MacBook target with its own power supply

Good to Know:

- Device Link operates as an Internet-connected appliance. Licensing and reporting functions occur with direct communication to the Ziperase [Customer Portal](#).
- Device Link supports Intel and Apple silicon MacBooks produced after 2016 supporting USB-C
- All units report completed activities directly to the cloud, where they are aggregated with reports from all of your other Device Link stations
- Licensing is managed entirely in the [Customer Portal](#), transparently to the operator.
- Our support team is here to help! Email us at support@ziperase.com or fill in [this form](#) to create a ticket for technical support.
- Check for software updates in the [Customer Portal](#) Downloads tab

Cables and Connections You'll Need

- 1.** Device Link USB-C Power Adapter



- 2.** 32GB USB3 Mass Storage Drive



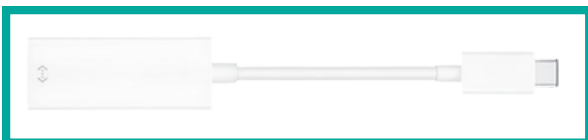
- 3.** USB3 USB-A 3-Port Hub



- 4.** Apple USB-C Digital AV Multiport Adapter



- 5.** USB-C to Gigabit Ethernet Adapter



- 6.** Video Out (plugs into standard HDMI port)



- 7.** HDMI D (micro-HDMI) to HDMI A (standard HDMI)



- 8.** USB2 Cable (USB-A to USB Micro-B)



- 9.** USB1 Cable (USB-A to USB-C)



- 10.** USB C Hub 4-Port



What's in the Box?

11. Device Link Unit



Setting Up

- Unbox Device Link and connect cables and peripherals to the Device Link unit



1 Device Link USB-C Power Adapter

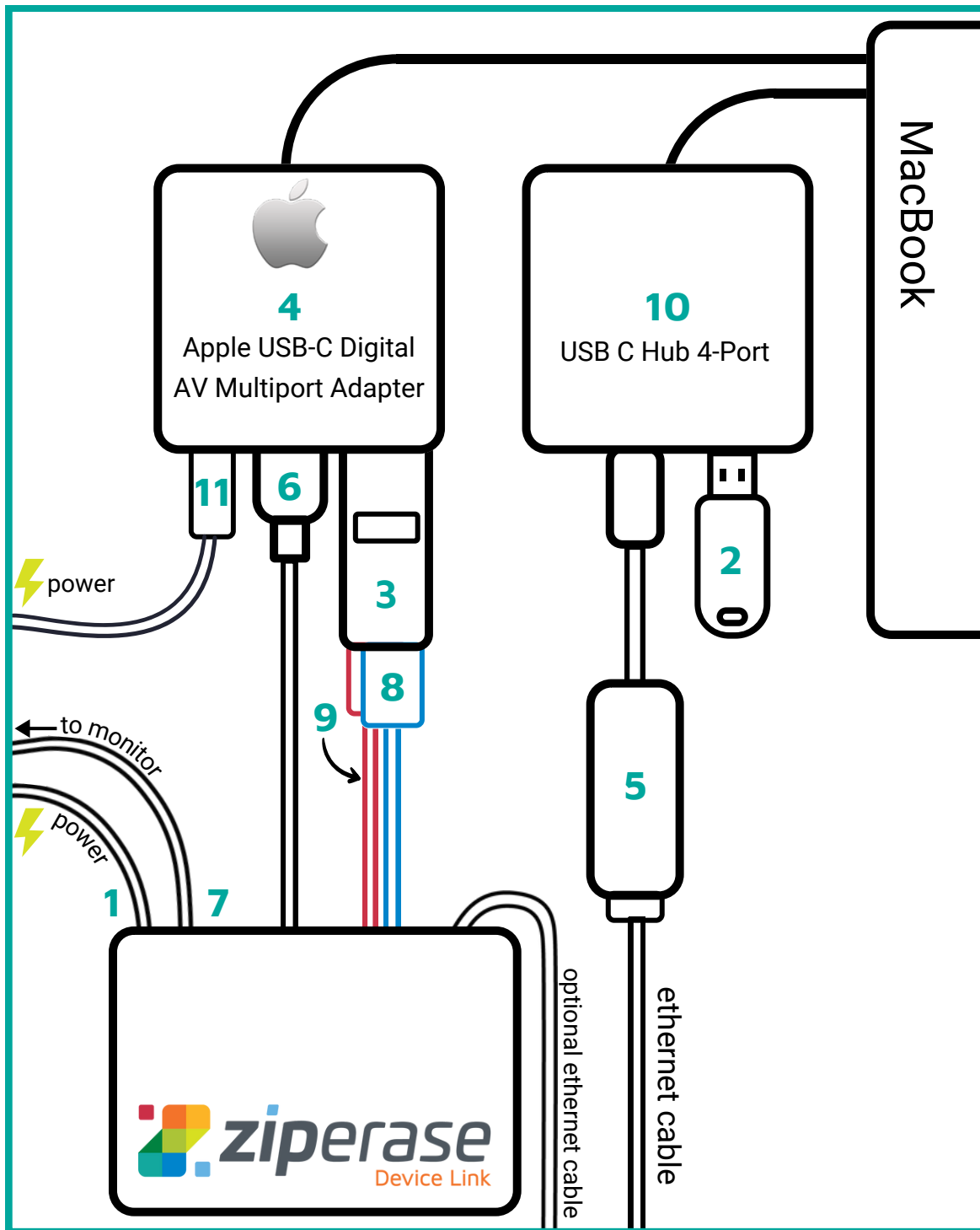
8 USB2 Cable (USB-A to USB Micro-B)

6 Video Out (plugs into standard HDMI port)

9 USB1 Cable (USB-A to USB-C)

7 HDMI D (micro-HDMI) to HDMI A (standard HDMI)

- Your setup should look something like this:



1 Device Link USB-C Power Adapter

2 32GB USB3 Mass Storage Drive

3 USB3 USB-A 3-Port Hub

4 Apple USB-C Digital AV Multiport Adapter

5 USB-C to Gigabit Ethernet Adapter

6 Video Out (plugs into standard HDMI port)

7 HDMI D (micro-HDMI) to HDMI A (standard HDMI)

8 USB2 Cable (USB-A to USB Micro-B)

9 USB1 Cable (USB-A to USB-C)

10 USB C Hub 4-Port

11 MacBook power adapter (USB-C)