



Device Link Quick-Start Guide 1

Station Setup

What You Need:

- 1 x internet connection, Wi-Fi or ethernet (for Device Link)
- HDMI monitor (needed for setup, optional for processing)
- USB mouse and keyboard (needed for setup, optional for processing)
- 1 x MacBook target with its own power supply

Good to Know:

- **Device Link operates as an Internet-connected appliance.** Licensing and reporting functions occur with direct communication to the Ziperase [Customer Portal](#).
- Device Link supports Intel and Apple silicon MacBooks produced after 2016 supporting USB-C
- All units report completed activities directly to the cloud, where they are aggregated with reports from all of your other Device Link stations
- Licensing is managed entirely in the [Customer Portal](#), transparently to the operator.
- Our support team is here to help! Email us at support@ziperase.com or fill in [this form](#) to create a ticket for technical support.
- Check for software updates in the [Customer Portal](#) Downloads tab

Cables and Connections You'll Need

- 1.** Device Link USB-C Power Adapter



- 2.** 32GB USB3 Mass Storage Drive



- 3.** USB C Hub Multiport Adapter V3



- 4. & 5.** USB C to USB 3.0 Adapter (x2)



- 6.** Video Out (plugs into standard HDMI port)



- 7.** HDMI D (micro-HDMI) to HDMI A (standard HDMI)



- 8.** USB2 Cable (USB-A to USB Micro-B)



- 9.** USB1 Cable (USB-A to USB-C)



What's in the Box?

11. Device Link Unit



Setting Up

- Unbox Device Link and connect cables and peripherals to the Device Link unit



1 Device Link USB-C Power Adapter

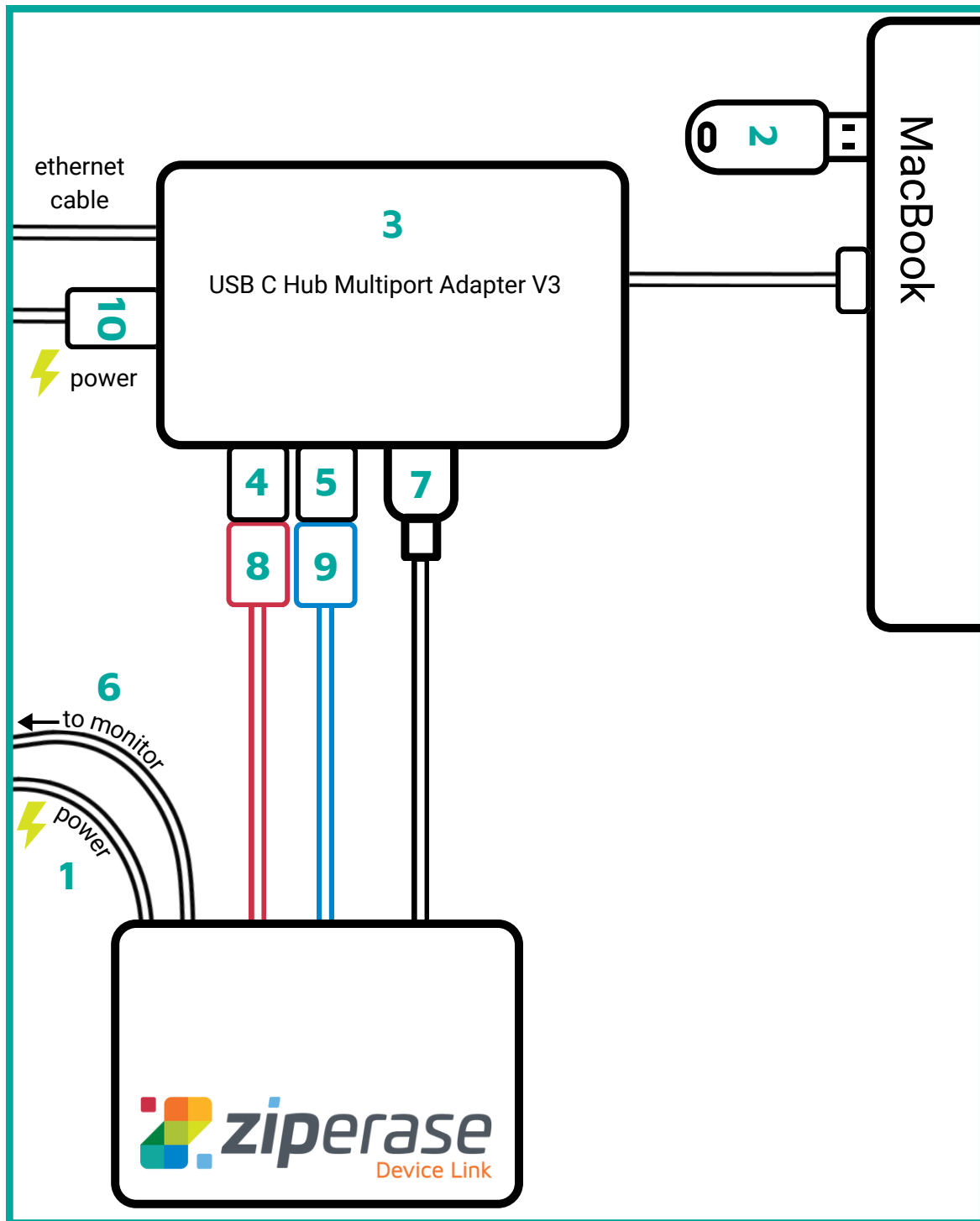
8 USB2 Cable (USB-A to USB Micro-B)

6 Video Out (plugs into standard HDMI port)

9 USB1 Cable (USB-A to USB-C)

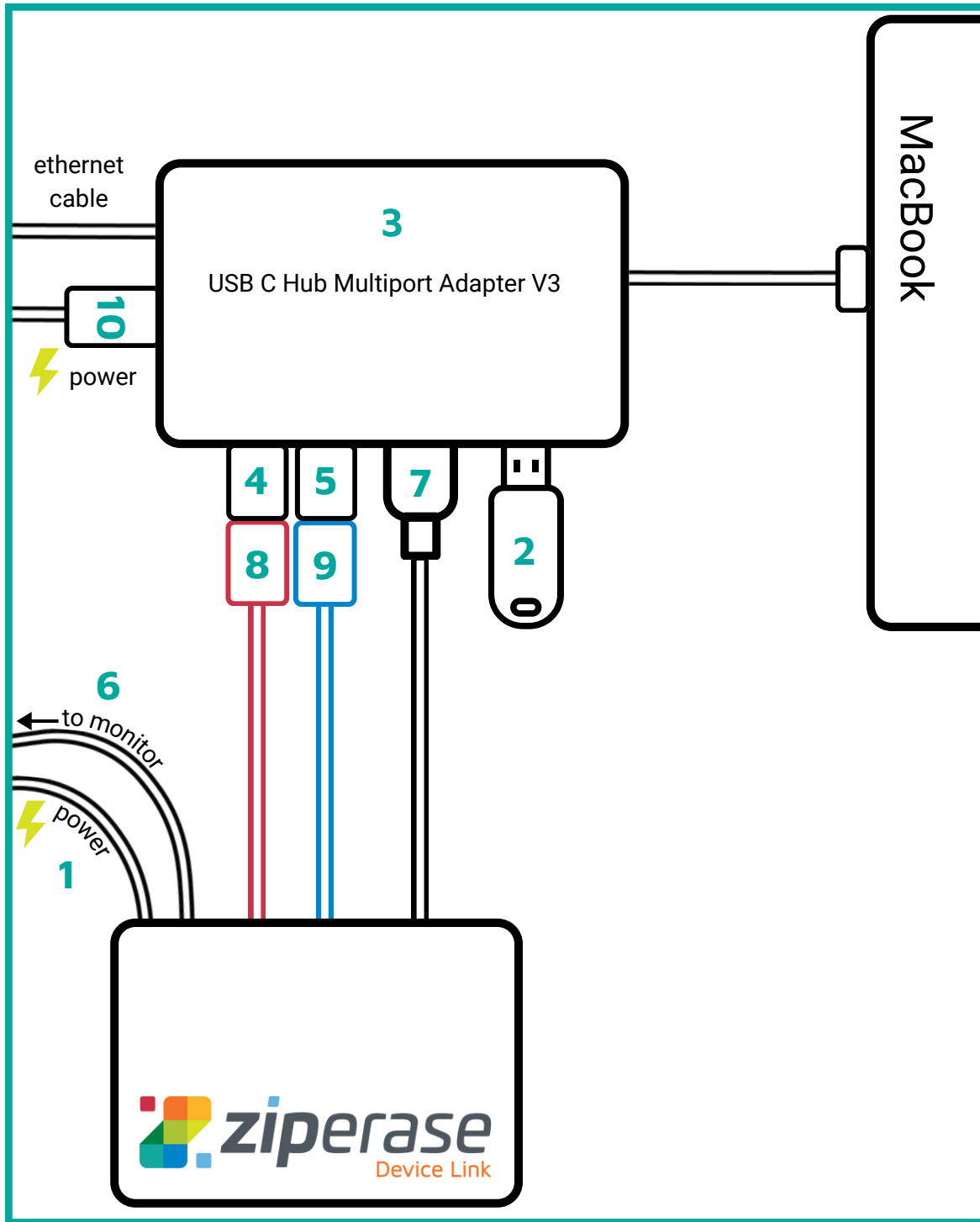
7 HDMI A (micro-HDMI) to HDMI A (standard HDMI)

- Your setup should look something like this:



- | | |
|--|--|
| 1 Device Link USB-C Power Adapter | 6 Video Out (plugs into standard HDMI port) |
| 2 32GB USB3 Mass Storage Drive | 7 HDMI D (micro-HDMI) to HDMI A (standard HDMI) |
| 3 USB C Hub Multiport Adapter V3 | 8 USB2 Cable (USB-A to USB Micro-B) |
| 4 USB C to USB 3.0 Adapter | 9 USB1 Cable (USB-A to USB-C) |
| 5 USB C to USB 3.0 Adapter | 10 MacBook power adapter (USB-C) |

- Or, for devices with a SINGLE USB-C Port:



- | | |
|--|--|
| 1 Device Link USB-C Power Adapter | 6 Video Out (plugs into standard HDMI port) |
| 2 32GB USB3 Mass Storage Drive | 7 HDMI D (micro-HDMI) to HDMI A (standard HDMI) |
| 3 USB C Hub Multiport Adapter V3 | 8 USB2 Cable (USB-A to USB Micro-B) |
| 4 USB C to USB 3.0 Adapter | 9 USB1 Cable (USB-A to USB-C) |
| 5 USB C to USB 3.0 Adapter | 10 MacBook power adapter (USB-C) |

IMPORTANT

Before Booting Up

Ensure the multiport adapters power connection is disconnected when first booting up the Device Link box

- 1** Connect all cables and adapters to the Multiport Adapter V3 **(3)**
EXCEPT for the MacBook Power connection
- 2** Power on / Boot up the Device Link box
- 3** After arriving to the Device Link GUI, connect the MacBook Power connection